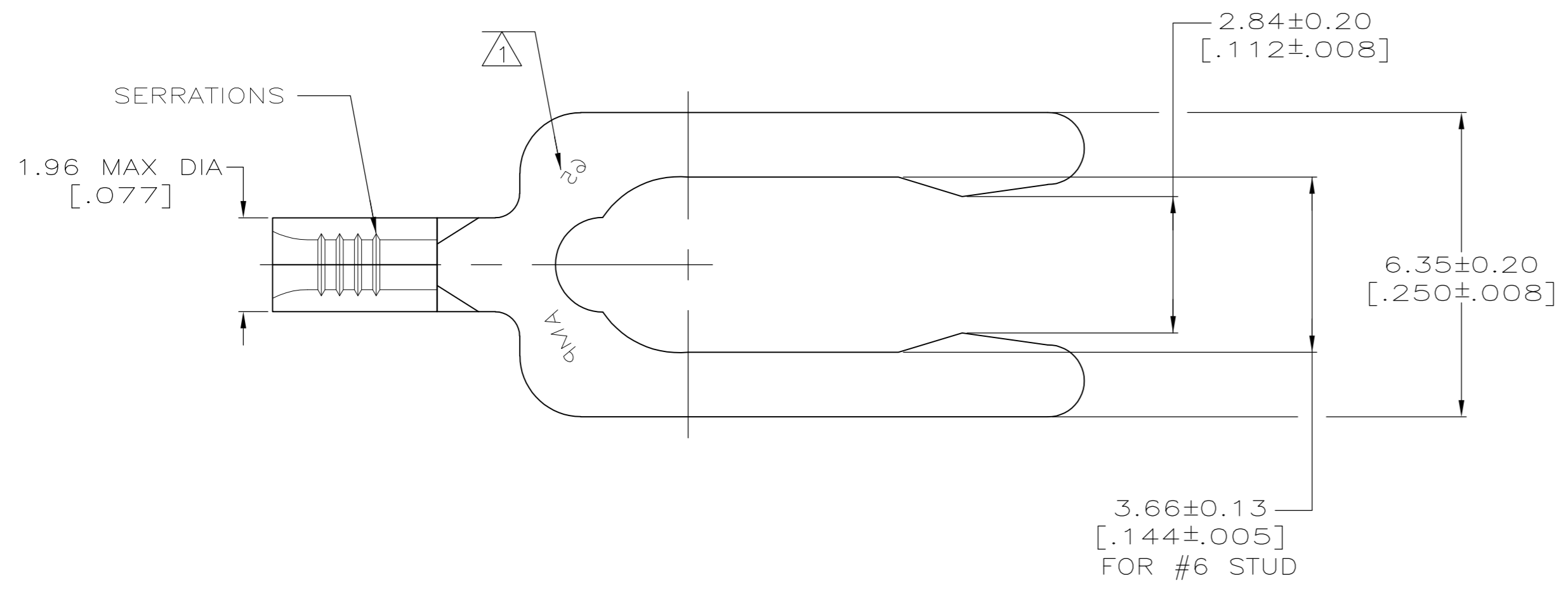


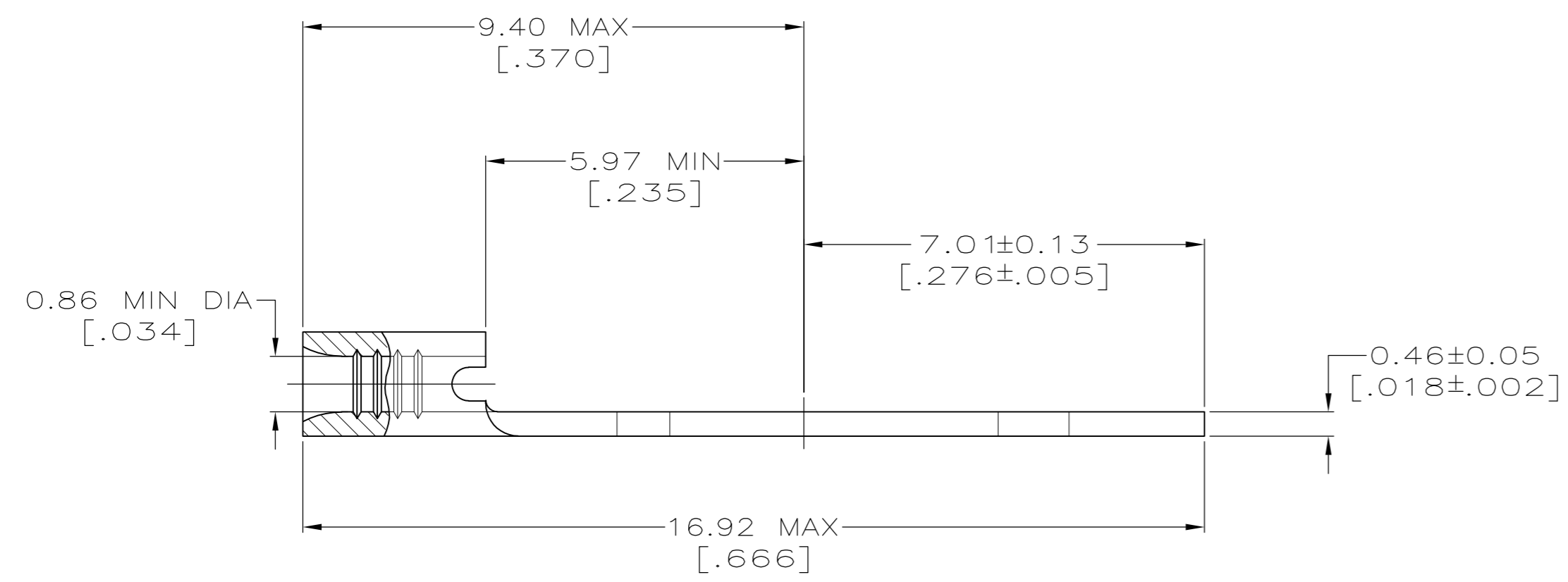
THIS DRAWING IS UNPUBLISHED. RELEASED FOR PUBLICATION
 © COPYRIGHT BY TYCO ELECTRONICS CORPORATION. ALL INTERNATIONAL RIGHTS RESERVED.

LOC	DIST	REVISIONS					
		P	LTR	DESCRIPTION	DATE	DWN	APVD
G	14	A1		REV PER ECR 10-016092	09AUG10	JR	TM



AMP WIRE RANGE	Listed FILE E13288	LR7189 Certified
26-22 AWG STRANDED	NOT LISTED	NOT CERTIFIED

- STAMP 6S AMP APPROX AS SHOWN
6S INDICATES STUD SIZE
- PHOSPHOR BRONZE PER ASTM B103, ANNEALED



52734-1
PART NO.

CUSTOMER SERVICE SYSTEMS		MAX RECOMMENDED OPERATING TEMPERATURE: 170°C MAX		THIS DRAWING IS A CONTROLLED DOCUMENT.		DWN TA BRINKMAN 2-15-93		Tyco Electronics Corporation Harrisburg, PA 17105-3608	
FOR ADDITIONAL PRODUCT INFORMATION OR COPIES OF DRAWINGS AND TECHNICAL DOCUMENTS		PRODUCT INFORMATION CENTER 1-800-522-6752		DIMENSIONS: MM [INCHES]		TOLERANCES UNLESS OTHERWISE SPECIFIED:		CHK DA PATTERSON 2-15-93	
FOR APPLICATION		TOOLING ASSISTANCE CENTER		VOLTAGE RATING: N/A		0 PLC ± - 1 PLC ± - 2 PLC ± - 3 PLC ± - 4 PLC ± - ANGLES ± -		APVD JL MECKLEY 2-15-93	
TOOLING INFORMATION		1-800-722-1111		CIRCULAR MIL AREA: 0.10-0.41mm² [202-810] STRANDED		MATERIAL		PRODUCT SPEC	
FOR ORDER ENTRY		1-800-526-5142		THIS DRAWING IS A CONTROLLED DOCUMENT FOR AMP INCORPORATED. IT IS SUBJECT TO CHANGE AND THE CONTROLLING ENGINEERING ORGANIZATION SHOULD BE CONTACTED FOR THE LATEST REVISION.		FINISH		APPLICATION SPEC	
						-		TIN PLATE PER ASTM B545	
								WEIGHT -	
								SIZE A2 CAGE CODE 00779 DRAWING NO C=52734 RESTRICTED TO -	
								SCALE 10:1 SHEET 1 OF 1 REV A1	